

T100 Series Low Pressure Models T100E, T100F & T100H

Maximum Flow Rate: 366 l/min (96 gpm) 3292 BPD
Maximum Pressure: 145 bar (2100 psi)



API 674



WANNER
Hydra-Cell
Seal-less Pump Technology



T100 Series low pressure model with
Stainless Steel pump head.

Available
to Meet
API 674

- Seal-less design eliminates leaks, hazards and the expense associated with seals and packing.
- Low NPSH requirements allow for operation with a vacuum condition on the suction. Positive suction pressure is not necessary, and there is no need for a booster or charge pump.
- Patented Diaphragm Positioning Control (DPC) protects the diaphragms against a closed or blocked suction line.
- Can run dry indefinitely without damage, eliminating downtime and repair costs.
(Note: Intentional dry running not permitted in ATEX zones.)
- Unique diaphragm design handles more abrasives with less wear than gear, screw or plunger pumps.
- Hydraulically balanced diaphragms to handle high pressures with low stress.
- Significantly lower energy costs than centrifugal pumps.
- Rugged construction for long life with minimal maintenance.
- Compact design and double-ended shaft provide a variety of installation options.
- Hydra-Cell T100 Series pumps can be configured to meet API 674 Standards - consult factory for details.

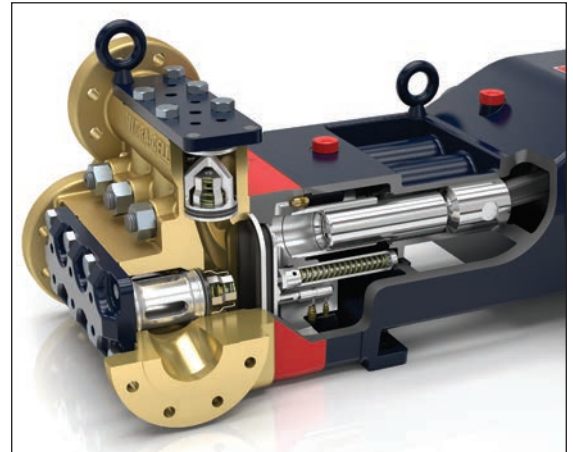
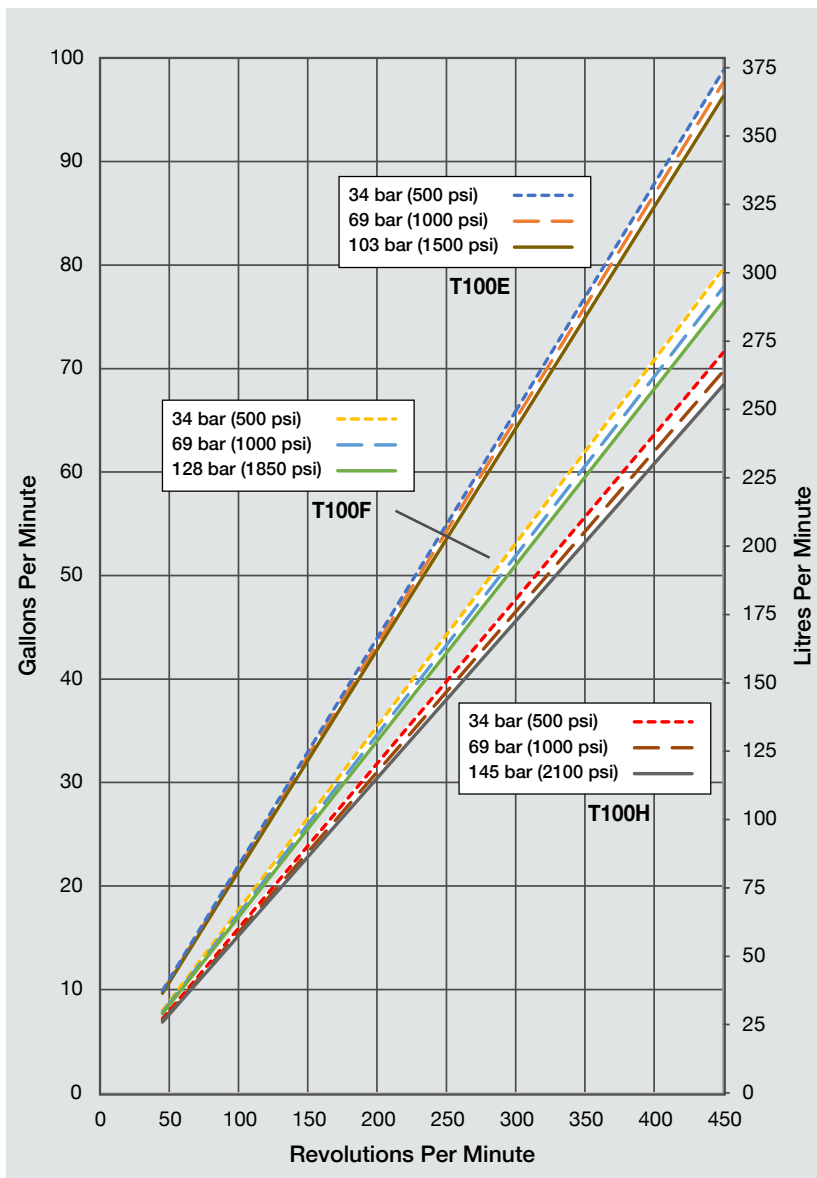
T100 Series Low Pressure Performance

Capacities

Model	Max. Input rpm	Plunger Dia.		Max. Flow Capacities			Max. Pressure Ratings Discharge		Max. Pressure Ratings Inlet	
		Inches	mm	gpm	l/min	BPD	psi	bar	psi	bar
T100E	450	2.500	64	96	366	3292	1500	103	500	34
T100F	450	2.250	57	76	290	2623	1850	128	500	34
T100H	450	2.125	54	68	258	2332	2100	145	500	34

Consult factory when operating below 45 rpm.

Maximum Flow at Designated Pressure



T100 Series pumps feature the Hydra-Cell seal-less design, eliminating clean-up costs from leaking seals or packing and protecting operators from dangerous fluids such as those containing hydrogen sulfide.

Due to the Wanner Engineering Continuous Improvement Program, specifications and other data are subject to change.

T100 Series Low Pressure Specifications

Flow Capacities

Model	Pressure bar (psi)	rpm	gpm	l/min	BPD
T100E	103 (1500)	450	96	366	3292
T100F	128 (1850)	450	76	290	2623
T100H	145 (2100)	450	68	258	2332

Delivery

	Pressure bar (psi)	gal/rev	litres/rev
T100E	34 (500)	0.220	0.831
	69 (1000)	0.217	0.821
	103 (1500)	0.214	0.809
T100F	34 (500)	0.177	0.669
	69 (1000)	0.173	0.655
	128 (1850)	0.170	0.644
T100H	34 (500)	0.159	0.601
	100 (69)	0.155	0.587
	145 (2100)	0.152	0.575

rpm

Maximum:	450
Minimum:	45 (Consult factory for speeds less than 45 rpm.)

Maximum Discharge Pressure

Metallic Heads:	T100E	103 bar (1500 psi)
	T100F	128 bar (1850 psi)
	T100H	145 bar (2100 psi)

Maximum Inlet Pressure 34 bar (500 psi)

Operating Temperature Limits

Maximum Liquid Temperature:	82.2°C (180°F)
Diaphragm Material Minimum Service Temperature (Ambient & Liquid):	
Aflas	30°C
EPDM	-20°C
FKM	5°C
Buna-N (HBNR)	-5°C

Consult factory for temperatures outside of these ranges

Maximum Solids Size	800 microns
Input Shaft	Left or Right Side
Inlet Ports	3-1/2 inch Class 300 RF ANSI Flange
Discharge Ports	2 inch Class 900 RF ANSI Flange
Plunger Stroke Length	88.9 mm (3-1/2 inch)
Shaft Diameter	76.2 mm (3 inch)
Shaft Rotation	Uni-directional (See rotation arrow.)
Oil Capacity	19.4 litres (20.5 US quarts)
	See page 5 for oil selection and specification.

Weight

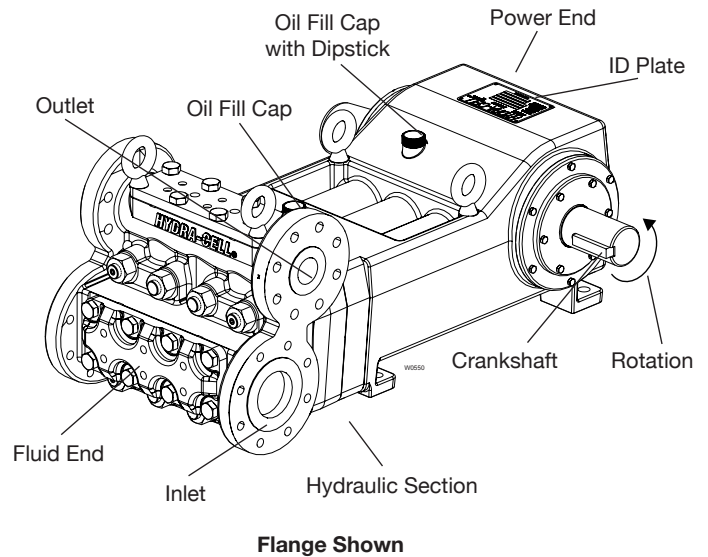
Metallic Heads:	499 kg (1100 lbs.)
-----------------	--------------------

Fluid End Materials

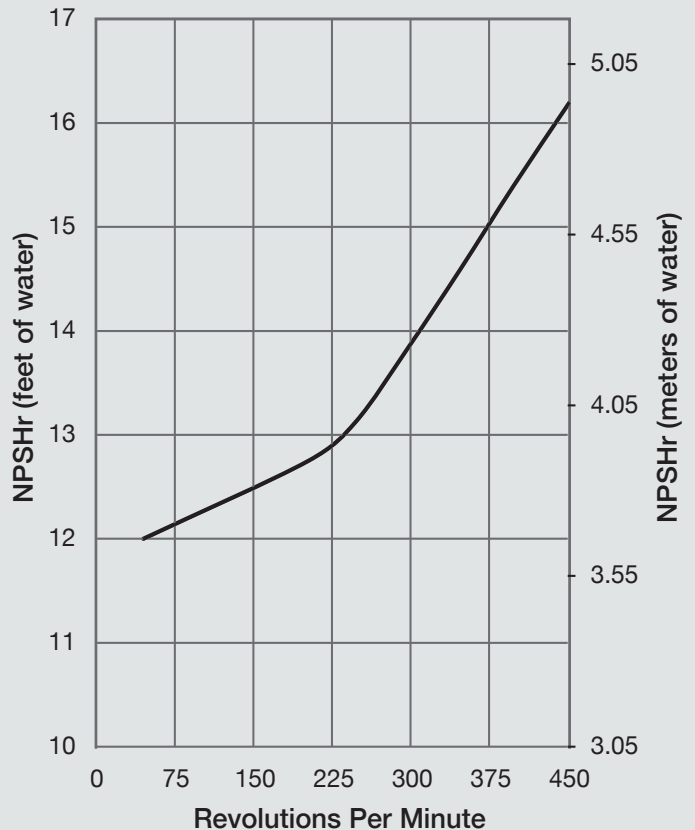
Diaphragm Follower Screw:	316 Stainless Steel
Outlet Valve Retainer:	316 Stainless Steel
Plug-Outlet Valve Port:	316 Stainless Steel
Inlet Valve Retainer:	316 Stainless Steel
See page 5 for customer-specified fluid end materials choices.	

Power End Materials

Crankshaft:	Forged Q&T Alloy Steel
Connecting Rods:	Ductile Iron
Crossheads:	12L14 Steel
Crankcase:	Ductile Iron
Bearings:	Spherical Roller/Journal (main) Steel Backed Babbitt (crankpin) Bronze (wristpin)



Net Positive Suction Head (NPSHr)



Calculating Required Horsepower (kW)*

$$\frac{\text{gpm} \times \text{psi}}{1,460} = \text{electric motor hp}^*$$

$$\frac{\text{lpm} \times \text{bar}}{511} = \text{electric motor kW}^*$$

* hp (kW) is required application power.

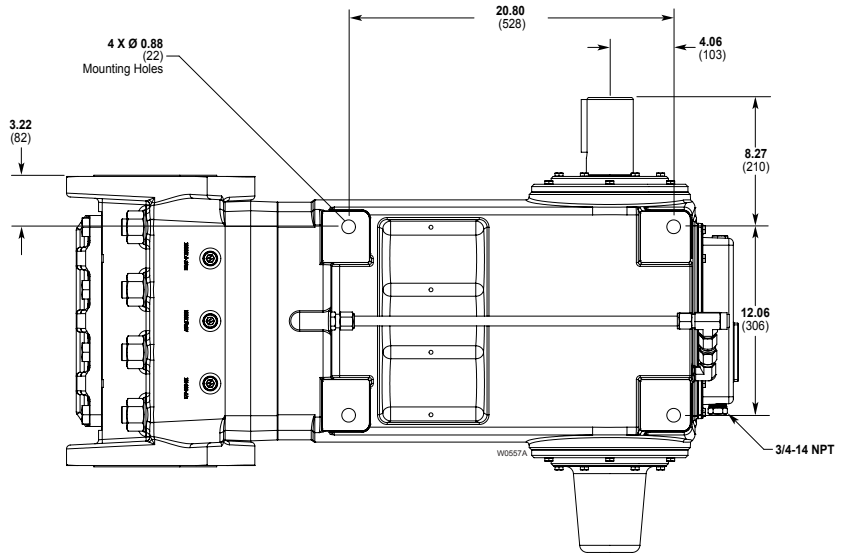
Attention!

When sizing motors with variable speed drives (VFD): It is very important to select a motor and a VFD rated for constant torque inverter duty service and that the motor is rated to meet the torque requirements of the pump throughout desired speed range.

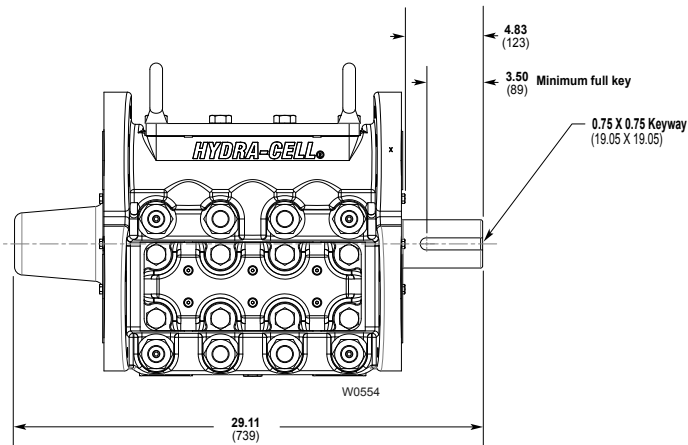
T100 Series Low Pressure Dimensions

Flanged Version inches (mm)

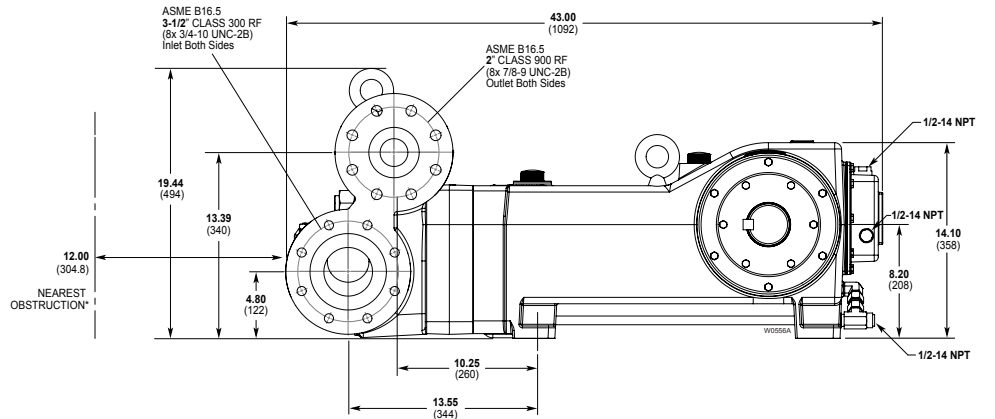
Bottom View



Front View



Side View



*Contact factory for obstruction distances closer than 12 inches (304.8 mm).

Note: Dimensions are for reference only. Contact Wanner International for certified drawings.

T100 Series Low Pressure How to Order

Ordering Information

1	2	3	4	5	6	7	8	9	10	11	12	13	14
T	1	0	0		R								

A complete T100 Series Low Pressure Model Number contains 14 digits including 9 customer-specified design and materials options, for example: T100ERDGHFESAC.

Low Pressure

Digit	Order Code	Description
1-4	T100	Pump Configuration Shaft-driven API 674 - Contact Wanner International
5	E F H	Performance Max. 366 l/min (96 gpm) 3292 BPD @ 103 bar (1500 psi) Max. 289 l/min (76 gpm) 2623 BPD @ 128 bar (1850 psi) Max. 257 l/min (68 gpm) 2332 BPD @ 145 bar (2100 psi)
6	R	Pump Head Version ANSI Flanged Ports (RF on Inlet / RF on Discharge)
7	D G S T	Pump Head Material Nickel Aluminium Bronze (NAB) Duplex Alloy 2205 Stainless Steel 316L Stainless Steel CF3M Hastelloy CX2M
8	A E G T	Diaphragm & O-ring Material Aflas EPDM (requires EPDM-compatible oil - digit 13 code D) FKM Buna-N (HBNR)
9	D H N T	Valve Seat Material Tungsten Carbide* 17-4 Stainless Steel Nitronic 50 Hastelloy C
10	D F N T	Valve Material Tungsten Carbide* 17-4 Stainless Steel Nitronic 50 Hastelloy C
11	E T	Valve Springs Elgiloy Hastelloy C
12	S T	Valve Spring Retainers 316 SST Hastelloy C

*Tungsten Carbide valve seat and disc are a matched set and must be purchased together.

Digit	Order Code	Description
13	A B D E H	Hydra-Oil 10W30 standard-duty oil 40-wt. oil EPDM-compatible oil Food-contact oil 15W50 high-temp severe-duty synthetic oil
114	C O W X	Oil Level Monitor Cover Float switch, normally closed (recommended) Float switch, normally open Level transmitter, ATEX, analog output** Float switch, ATEX, normally closed***

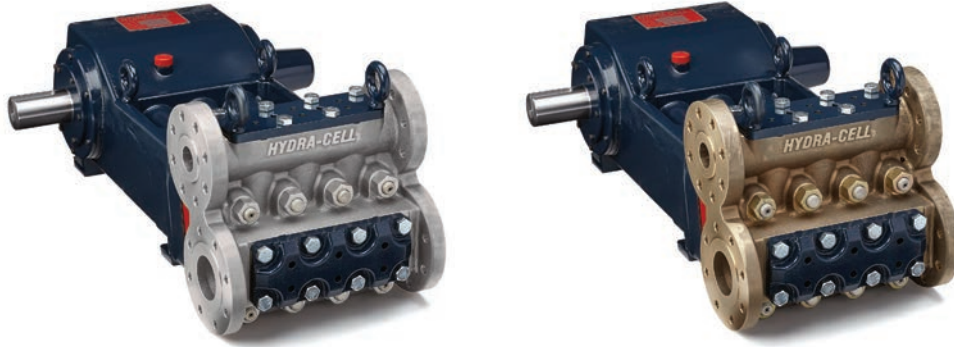
**ATEX instrument only, pump as standard.

***ATEX-compliant pump and float switch.

Note: The Oil Level Monitor Cover is an assembly that replaces the previous back cover on T100 Series pumps. It contains a float switch assembly that can trigger an alarm or shutdown when pre-defined levels of high or low oil are reached. It may also be ordered without a float switch cover.



T100 Series Low Pressure



WANNER

Hydra-Cell[®]

Partners in over 70 Countries

Standards Compliance



 **Wanner International Ltd.**[™]

**WANNER INTERNATIONAL
UNITED KINGDOM**

8 & 9 Fleet Business Park
Sandy Lane • Church Crookham
Hampshire UK GU52 8BF
t +44(0) 1252 816847
e: sales@wannerint.com

 **Wanner Engineering, Inc.**[™]

**WANNER ENGINEERING
WORLD HEADQUARTERS &
MANUFACTURING
Minneapolis USA**

t+1 612-332-5681
e: sales@wannereng.com

**REGIONAL OFFICE
Texas USA**

t+1 940-322-7111
e: sales@wannereng.com

**LATIN AMERICAN OFFICE
São Paulo, Brazil**

t +55 (11) 99582-1969
e: sales@wannereng.com

 **Wanner Pumps Ltd.**[™]

**WANNER PUMPS
Kowloon HONG KONG**

t +852 3428 6634
e: sales@wannerpumps.com

Shanghai CHINA

t +86-21-6876 3700
e: sales@wannerpumps.com